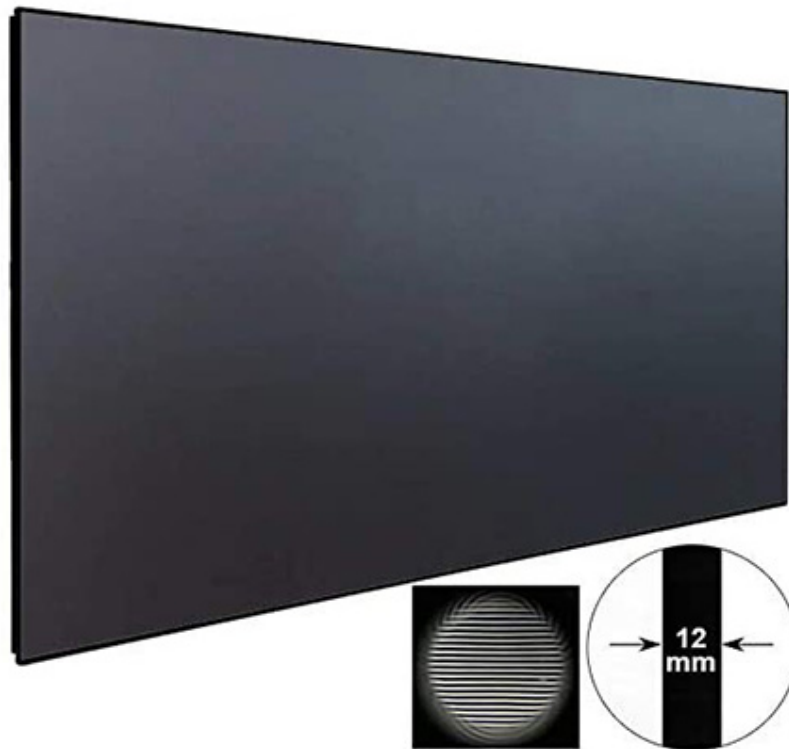


ALR UST

Thin frame screen

user manual



Screen maintenance

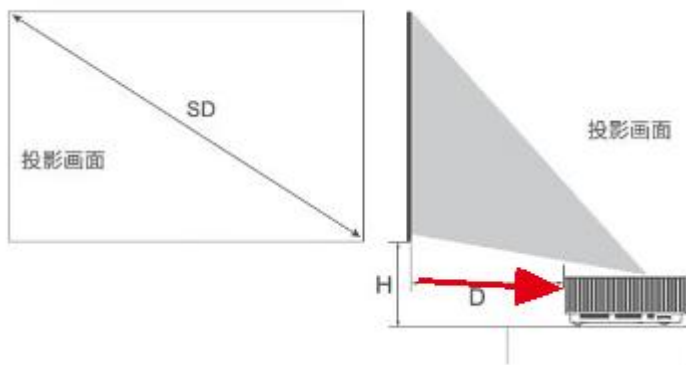
Dust, dirt and scratches on the projection screen surface will affect the quality and performance of the projection image. Follow the instructions below to properly maintain the screen.

- 1) The screen surface has a horizontal linear structure. DO NOT wipe the screen up and down or in a circular motion. Wipe gently from left to right only.
- 2) Clean the dust on the screen surface with a soft brush or microfiber cloth. A rough/coarse towel or cloth may damage the screen's surface.
- 3) Don't use water to clean the fabric material, it will wipe away the ALR coating on the surface

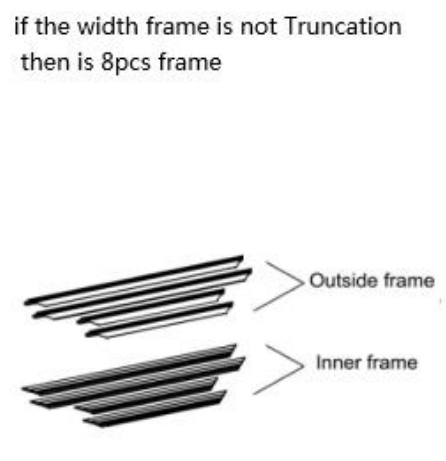
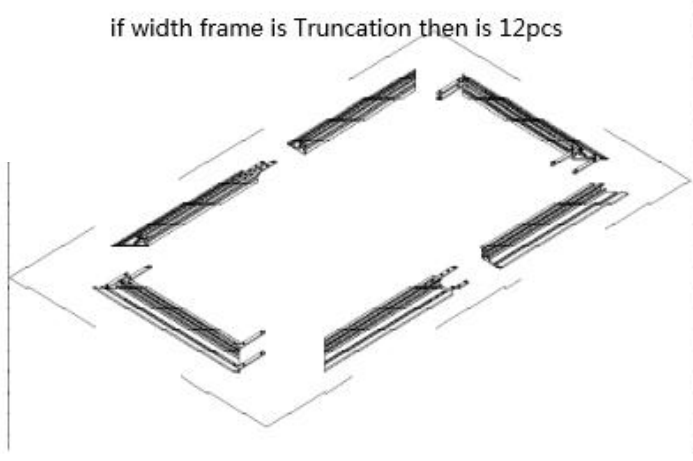
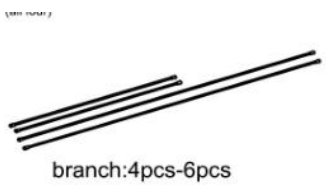
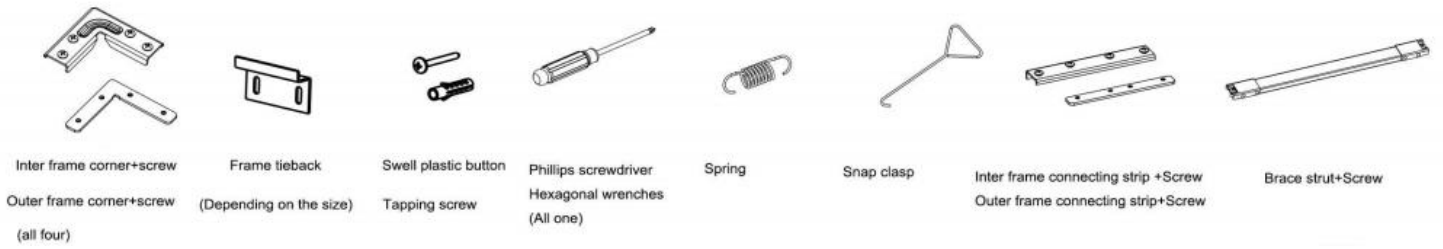
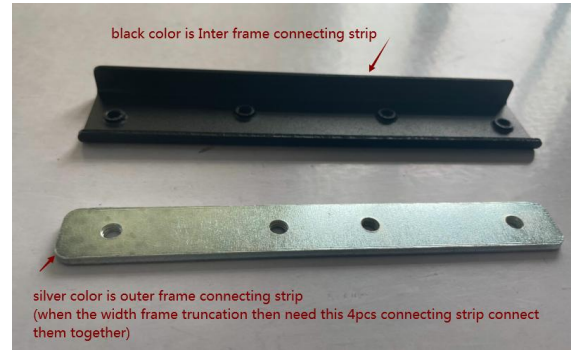
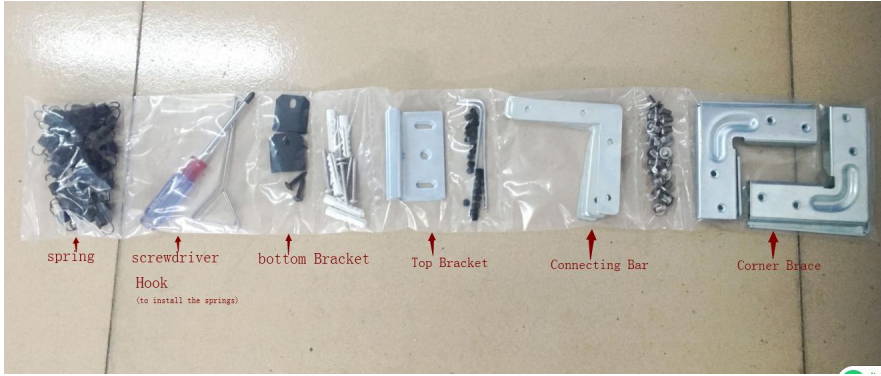
Notes: The following precautions should always be followed to avoid damaging the material, which is not covered under warranty.

- Don't touch the screen material to avoid leaving fingerprints.
- Before install the screen, Use gloves when handling the material. otherwise the fabric will very easy to Scratch by fingernail and also will leave your hand's stains on the material .
- Don't scratch the material, as it will leave permanent markings on the screen's surface.
- Don't point to the screen material with a fingertip or other sharp objects to prevent damage to the material.
- Don't use acetone, benzene, alcohol and any other organic solvents to clean the screen material. Using such chemicals will permanently damage the screen.
- Don't fold the PET Crystal fabric material ,otherwise ,surface will have folding mark and won't disappear

Ultra Short Throw projectors can display 100"/120" at a distance (from projector to the wall) of about 30-50cm (D) ,the height from the bottom to the projector also will affect it .



The following items will be included in the Accessories Box:



1 Clean the floor and check the package

Notice

The floor must be cleaned and without any hard objects(eg. sands), to avoid screen damage.



Carton Package:
Frames and Accessories

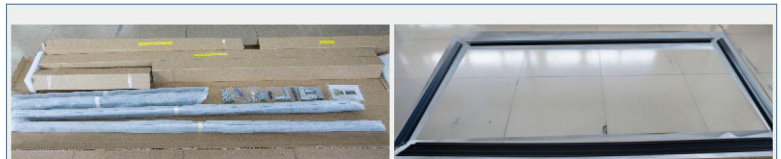
Tube Package:
Screen Fabric

Note: Some fabric is packaged by tube. Some fabric is packaged together with the frames. It's depended by the fabric material.

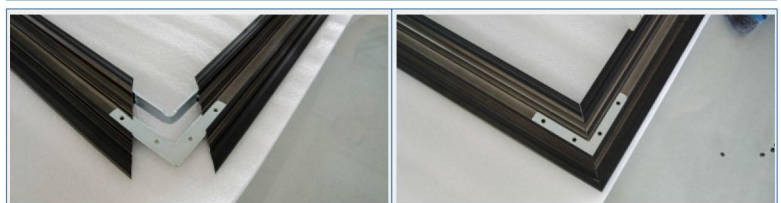


There is yellow labels on every inner packages, to indicate the type of frame/fabric.

2 Install the Inner Frames

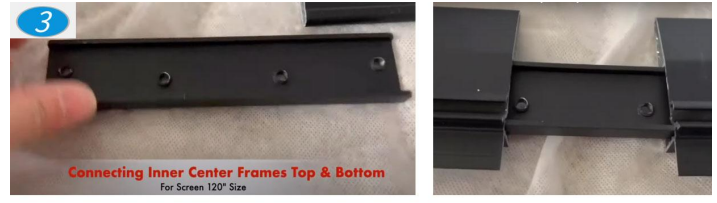


Open the package, put the inner frames onto the clean floor.



Insert the corner braces into four corners. Please note the front and back side are different. Adjust the holes and turn the screws(Do not turn the screws tightly in this step).

3, Connect the inner frame together



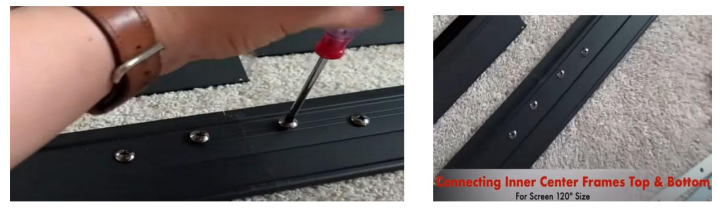
Connecting Inner Center Frames Top & Bottom
For Screen 120" Size



align the hole position

step2. Connecting Inner Center Frames Top & Bottom
For Screen 120" Size

Connecting Inner Center Frames Top & Bottom
For Screen 120" Size



Connecting Inner Center Frames Top & Bottom
For Screen 120" Size

3.1



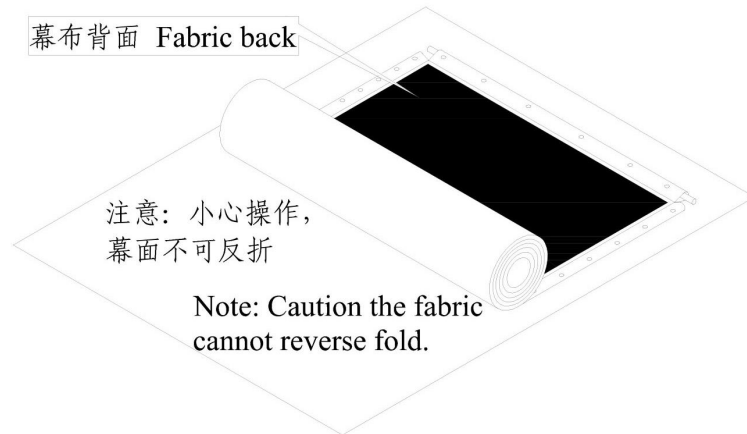
After turning all screws at the four corners, please adjust the junctures of the corners. Hold the frame tightly with one hand and tighten the screws with the other hand. After installing the inner frames, please install the support rods.



Installation of inner frames and support rods has been completed. Put it aside.

Assemble The fabric

- 1) Wearing glove
- 2) Remove the fabric from the package and face down. Two men hold up the fabric of a roll to unfold slowly, spread on the cloth of the table. Then, the four sides of the tension rods as shown in the following picture are mounted on the sides of the side of the fabric.



Notice: PET Crystal fabric material have direction
 When you see the fabric from bottom to Top, fabric is white color
 When you see the fabric from Top to Bottom, fabric is black color





④

Put the fabric onto the non-woven fabric, with the back side upward.



⑤

Put the installed inner frame onto the fabric. Note that the four corners must be aligned to the corner cut.



⑥



⑦

Insert the support bars into the four sides of the fabric.



⑧



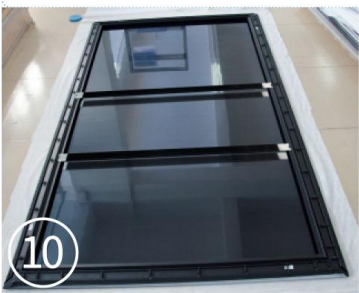
⑨

Hook the springs.
Note: Firstly hook the springs in the middle of the frame, and then the two sides. Please do this by two people at the same time.

Correct Method of Hooking Springs:
Hook the spring to the inner frame first, and then hook it to the fabric holes.



step7. Hook Metal Spring
For Screen Tension



⑩



⑪

After hooking all the springs, turn over the screen to check whether it is flat. If there is some wrinkles, please adjust the springs and the fabric.

4

Install the Outer Frame



Place the outer frames properly.



Insert the corner braces into the four corners of the outer frames. Please put the small screws onto the corner braces before inserting them into the frames.

4.2) Use the silver color outer frame connecting strip to connect the 2pcs outer width frame together



4.3)



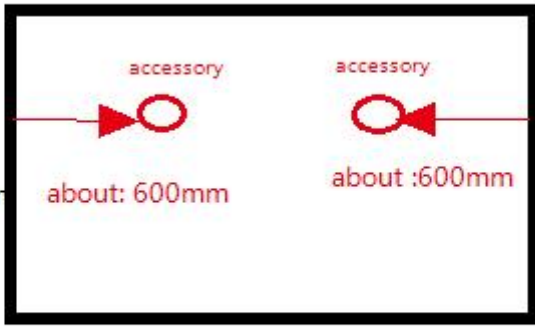
Cover the inner frame with the outer frame. Hold the inner frame and outer frame at the same time, press them together until hear a "click".



Tighten the small screws on the corner braces. Check the junctures of four corners. If the junctures are big, please adjust the junctures before tightening the screws.

width :2238mm

hight:1269mm



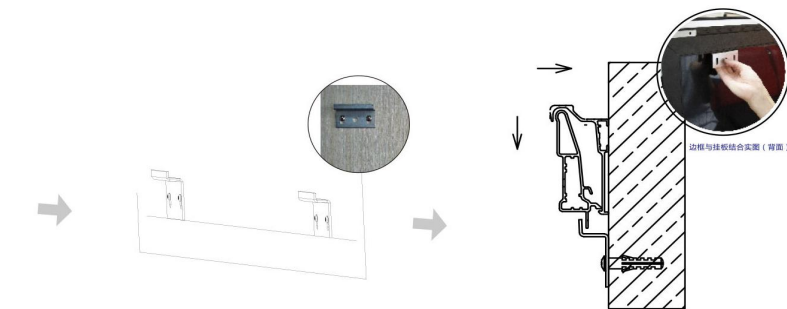
16:9,120 inch

frame width:2681mm



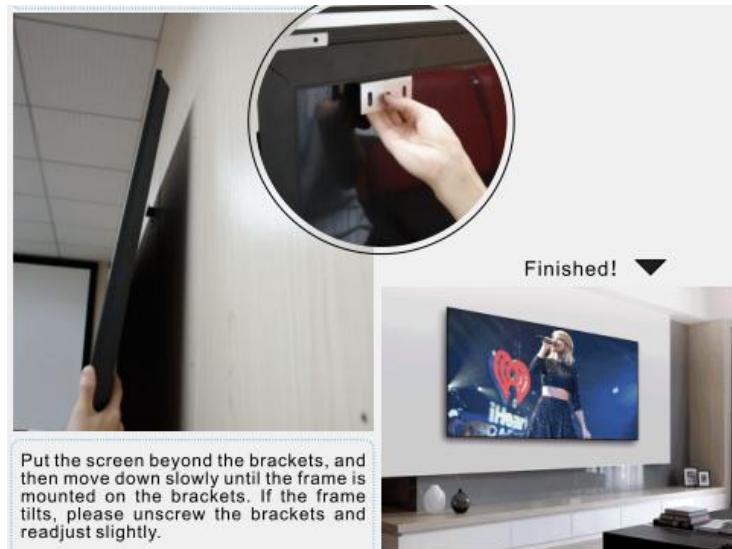
16:9,100inch

screen



Hang the assembled entire frame screen on the wall mount

After Hung up, you can adjust the position left and right



If you want to installation the Ultra projector on the ceiling ,then you need to turn around the PET Crystal screen to hanging (as the PET Crystal screen have direction)



Thank You Again for choosing to use this screen.HAVE A GOOD TIME !